

HIGH EFFICIENT SOFT MOUNTED WASHER EXTRACTORS

AF180 AF240 AF280

FEATURES

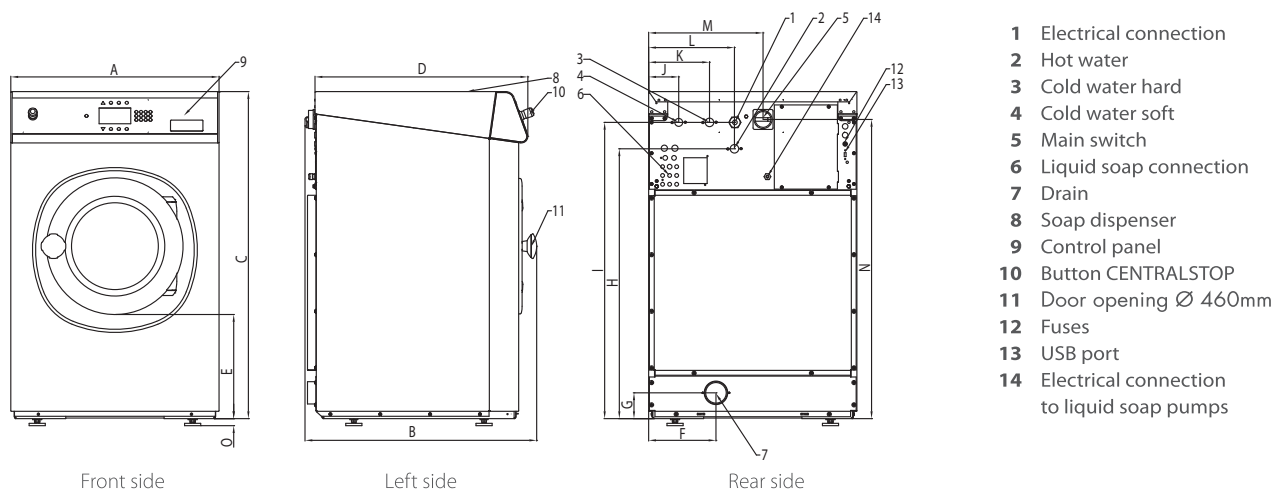
- Freetsanding, high spin (400G)
- Automatic Weight control - Adjusts water, Electricity, and detergent consumption to suit load
- Full medical HSG(95)18 compliant with cold water sluice & thermal disinfection
- WRAS level 5 approved
- Large door opening for easy loading and unloading
- Eligible for enhanced capital allowance (ECA)
- Easy access to all vital parts from the front
- Xcontrol - easy to use microprocessor
- Tracetech - Data Logging
- Stainless Steel drum and tub
- Ozone Compliant
- USB enabled
- EasySoap - Plug and play soap connections
- 24 month parts and labour warranty
- Patented soap hopper
- Large drain valve (76mm dia)

OPTIONS

- Xcontrol Plus - fully programmable
- Coin operated timer (CPS)
- Liquid soap pumps
- Water recovery kit
- Steam heating version
- High capacity water inlets (AF180, AF240)
- Extended warranty
- Rental option



TYPE		AF180	AF240	AF280
INNERDRUM				
maximum capacity 1:9	kg	20	27	32
volume	litres	180	240	280
diameter	mm	750	750	750
DRUM SPEED				
wash	rpm	42	42	42
extraction	rpm	980	980	915
G-FACTOR		400	400	350
HEATING				
electricity (standard)	kW	12/18	18	22
steam	bar	1-8	1-8	1-8
hot water	°C	90	90	90
Sound pressure level	dB (A)	<65	<65	<65
Water valves connection	BSP	3/4"	3/4"	3/4"
Water pressure	kPa	100-800	100-800	100-800
Rec. water pressure	kPa	300-500	300-500	300-500
Water inlet	l/min	20	20	20-50
Drain valve	outer Ø mm	76	76	76
Flow amount with drain valve	l/min	210	210	210
Steam valve connection	BSP	1/2"	1/2"	1/2"
Steam pressure	kPa	100-800	100-800	100-800
DIMENSIONS				
Size HxWxD	mm	1410x970x970	1410x970x1105	1410x970x1185
TRANSPORT DATA				
Gross	kg	395	450	515
Net	kg	380	430	495
Packed HxWxD	mm	1550x1025x1015	1550x1025x1150	1550x1025x1225



DIMENSIONS

	A	B	C	D	E	F	G	H	I	J	K	L	M	N	O
AF180	970	970	1410	906	477	270	108,5	1215	1297,5	102,5	208	293	610	1315	24
AF240	970	1105	1410	1041	477	270	108,5	1215	1297,5	102,5	208	293	610	1315	24
AF280	970	1185	1410	1116	477	270	108,5	1215	1305	102,5	208	293	610	1315	24
	width	depth	height												



15, Europa Court, Sealand Industrial Estate,
Chester CH1 4NP.

t:0151 317 3127 w: www.laundrytec.com

